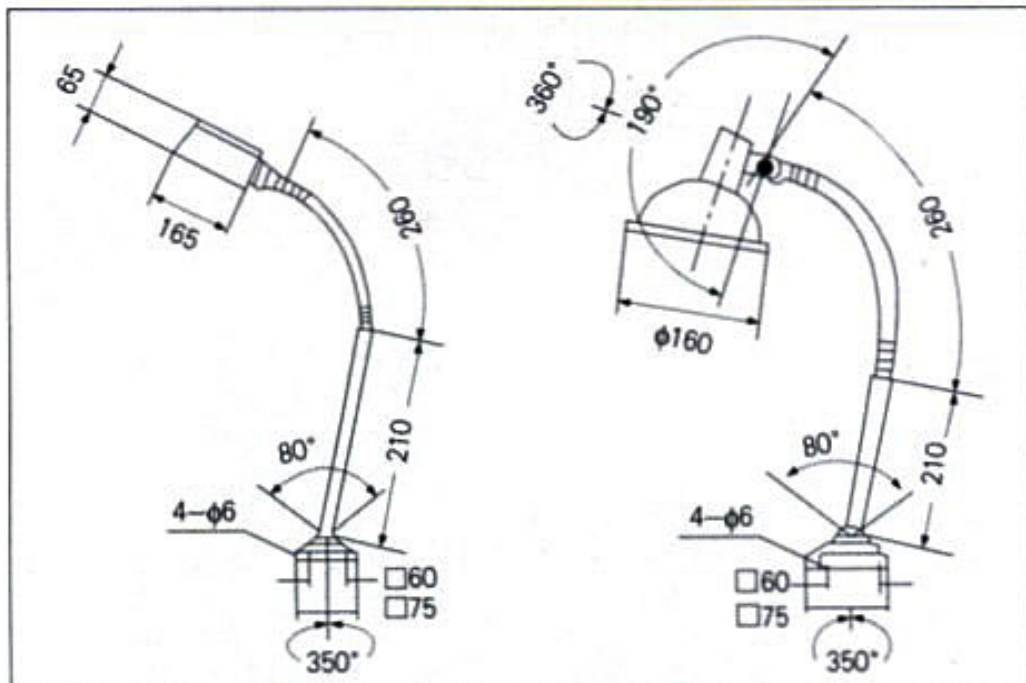


POLYTOP

Exporter from china

INCANDESCENT LAMPS PJB15:



型号 Type	JB10-1	JB11-1	JB11-2	JB15	JB18-2
电压 Voltay	24V	24V	24V	24V	24V
功率 Power	≤60W	≤60W	≤60W	≤60W	≤60W

USAGE:

The lamps are suitable for local lighting of each middle and small machine tools, planing, boring and milling machines as well as for bench work, test bench and repairing work.

ii

ii

ii