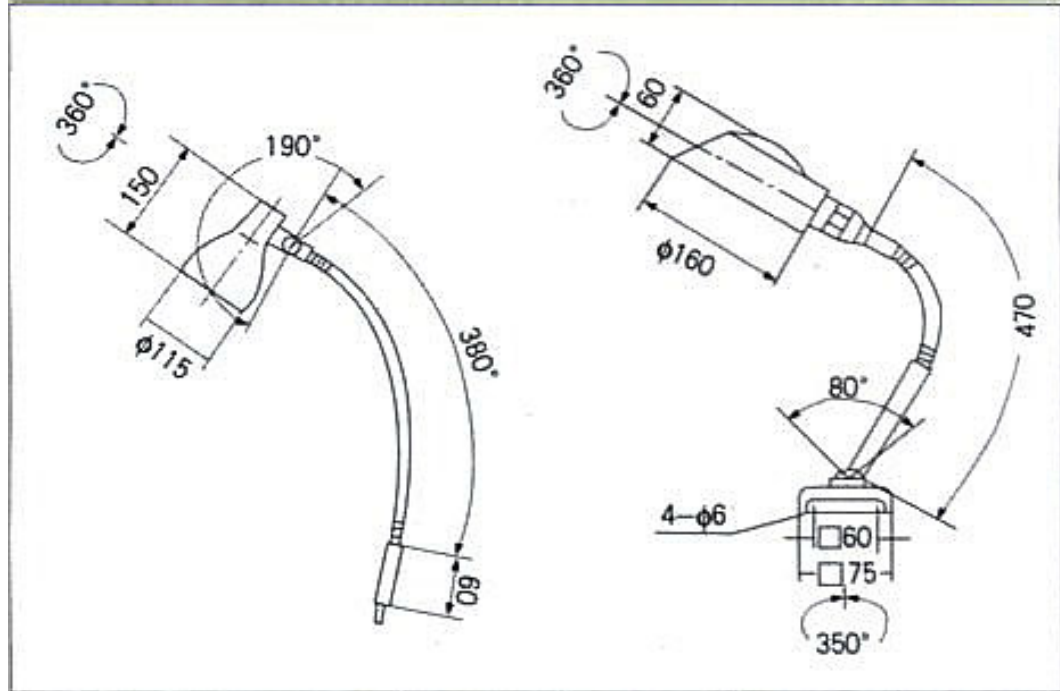


POLYTOP

Exporter from china

INCANDESCENT LAMPS PJB9-1:



型号	Type	JB4-1	JB6-1	JB9-1	JB9-2
电压	Voltay	24V	24V	24V	24V
功率	Power	≤60W	≤60W	≤60W	≤60W

USAGE:

The lamps are suitable for local lighting of each middle and small machine tools, planing, boring and milling machines as well as for bench work, test bench and repairing work.

ii

ii

ii