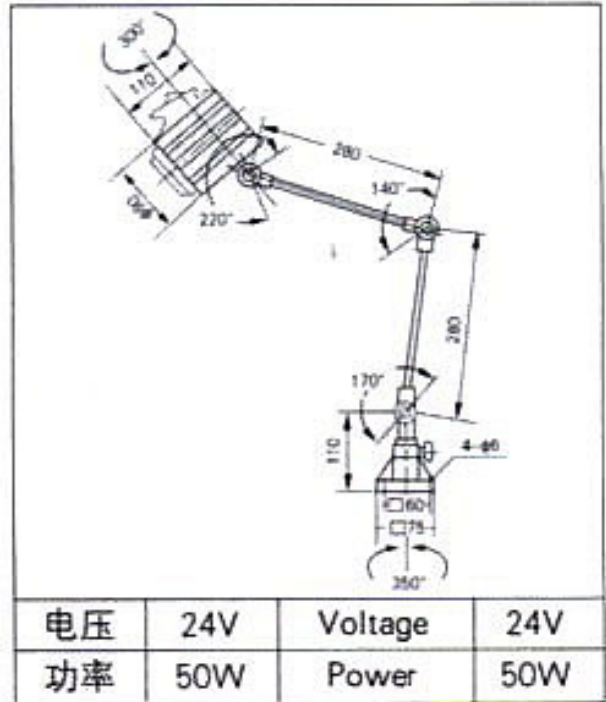


POLYTOP

Exporter from china

HALOGEN LAMPS PJL50B-3:



USAGE:

It adopts the new illuminant source and high luminance efficiency halogen bulb, suitable for long distance lighting of all kinds of medium machine tools. With the features of waterproof, flame-proof and corrosion-resisting.

