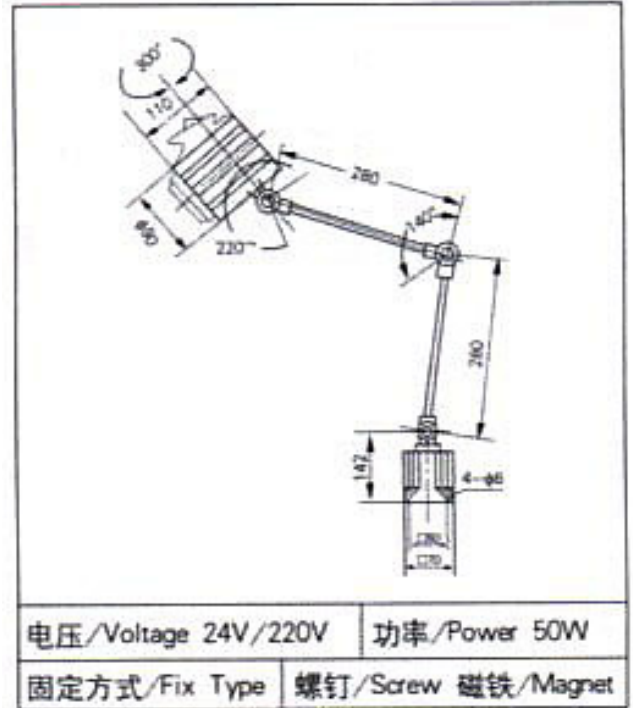


# POLYTOP

Exporter from china

## HALOGEN LAMPS PJL50B-3A:



### USAGE:

It adopts the illuminant source lamp holder of various medium and small machine tools, CNC machine tools, combined machine tools, equipment maintenance. Can load electronic transformer, suitable for different connection voltages.

ii

ii

ii