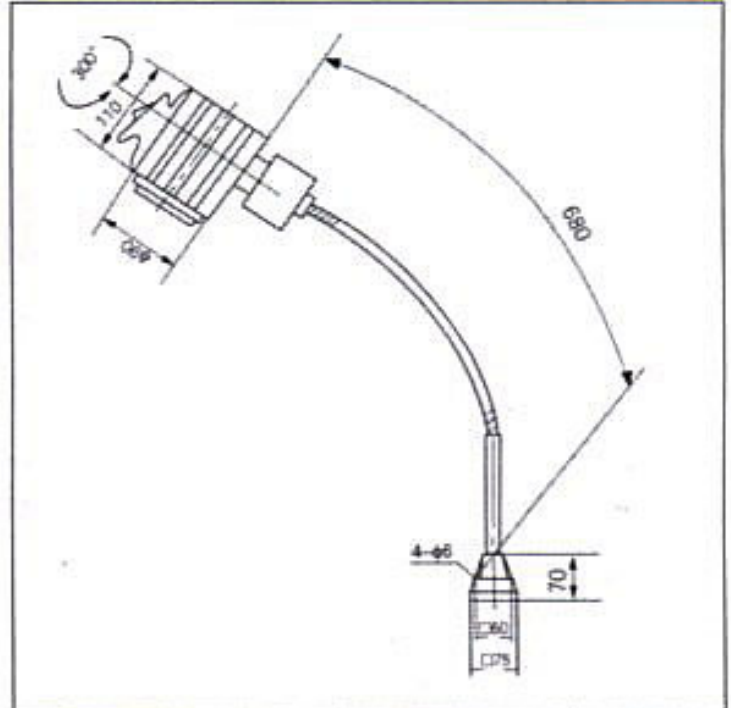


# POLYTOP

Exporter from china

## HALOGEN LAMPS PJL50B-5:



电压	24V	Voltage	24V
功率	50W	Power	50W

### USAGE:

Suitable for local illumination of CNC machine tools, lab observation, examination and test of products, maintenance operation.

