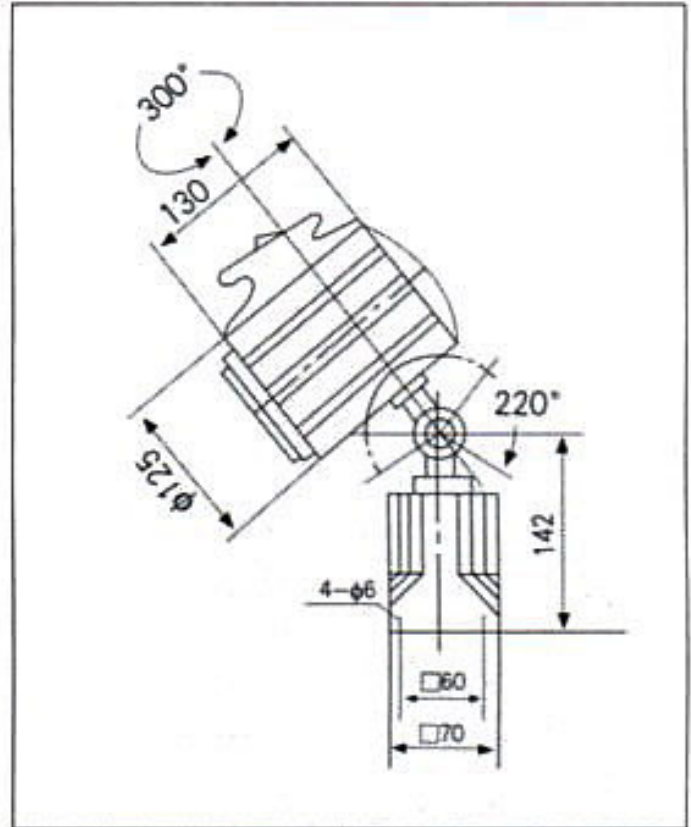


# POLYTOP

Exporter from china

## HALOGEN LAMPS PJL50C-1A:



电压/Voltage 24V/220V	功率/Power 50W
固定方式/Fix Type	螺钉/Screw 磁铁/Magnet

### USAGE:

Suitable for working illumination of various CNC machine tools, machining center and universal machine tool. With the features of waterproof and corrosion resisting.