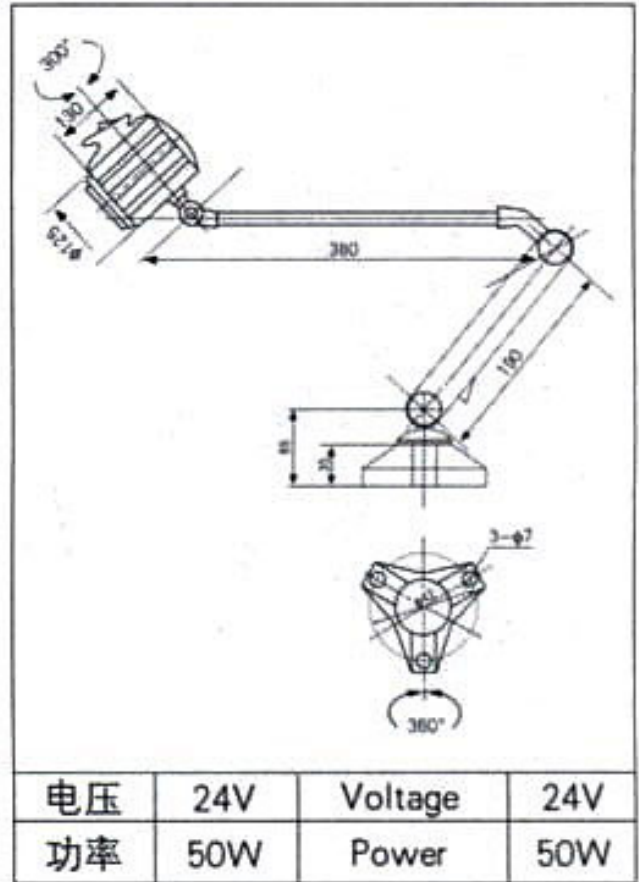


# POLYTOP

Exporter from china

## HALOGEN LAMPS PJL50C-4:



### USAGE:

Suitable for working illumination of various CNC machine tools, machining center and universal machine tool. With the features of waterproof and corrosion resisting.