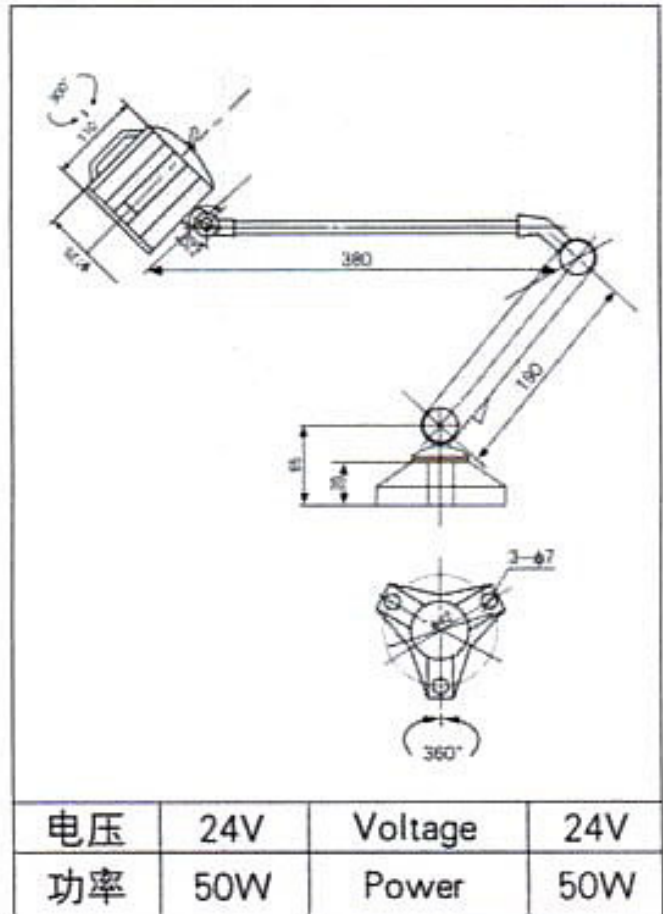


# POLYTOP

Exporter from china

## HALOGEN LAMPS PJL50F-2:



### USAGE:

It adopts the illuminant source and high luminance efficiency halogen bulb. with the features of waterproof and corrosion-resisting. Suitable for working illumination of various big and medium machine tools. CNC machine tools. combined machine tools.

ii

ii

ii