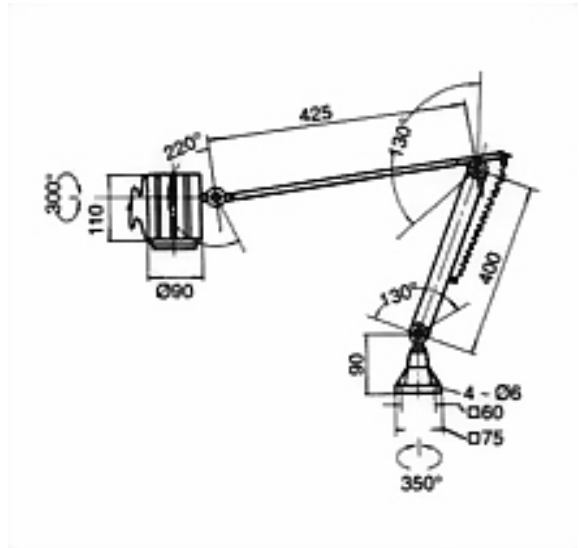


POLYTOP

Exporter from china

HALOGEN LIGHTS PTJC53 PROTECTION IP44:



USAGE:

Suitable for local illumination of CNC machine tools, hospital diagnosis and treatment, lab observation, examination and test of products, maintenance operation.

PERFORMANCE:

- Illuminant source selects high luminescence efficiency, long life halogen bulb, lamp holder GY6.35
- Balance adjustment structure adopts spring, make the move of lights more smooth and portable.
- Can load electronic transformer, suitable for different connection voltages, mains lead 2m with safety plug.

TYPE	MAINS VOLTAGE	ii
	LAMP WATTAGE	
PTJC53	24 AC	Mains lead: 2m with Safety Plug
	20v / 50w	
PTJC53-1	220v / 50Hz	
	20v / 50w	
ii	ii	ii