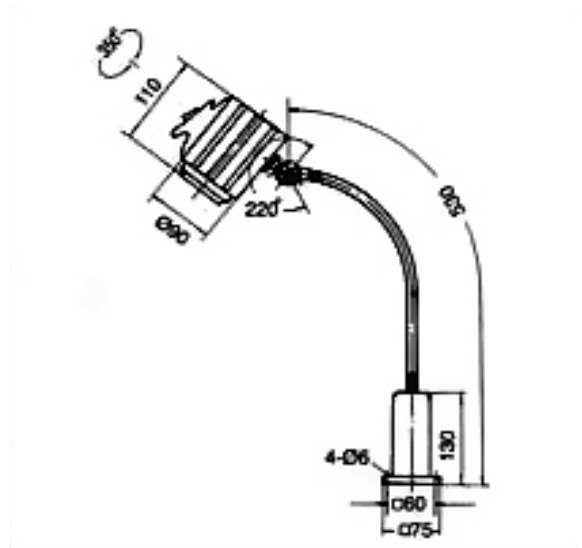


# POLYTOP

Exporter from china

## FLEXIBLE CONDUIT HALOGEN LIGHTS PTJC54 PROTECTION IP44:



### USAGE:

Suitable for working illumination of small machine tools, armamentarium, automotive repair, ship examine and repair, equipment maintenance.

### PERFORMANCE:

- Illuminant source selects high luminescence efficiency, long life halogen lamp holder GY6.35
- Can load electronic transformer, suitable for different connection voltages, mains lead 2m with safety plug.

TYPE	MAINS VOLTAGE	FIX TYPE
	LIGHT SOURCE	
PTJC54C	24	Magnet
	24v / 25w	
PTJC54D	24	Screw
	24v / 25w	
PTJC54C-1	220v / 50Hz	Magnet
	24v / 25w	
PTJC54D-1	220v / 50Hz	Screw
	24v / 25w	
ii	ii	ii