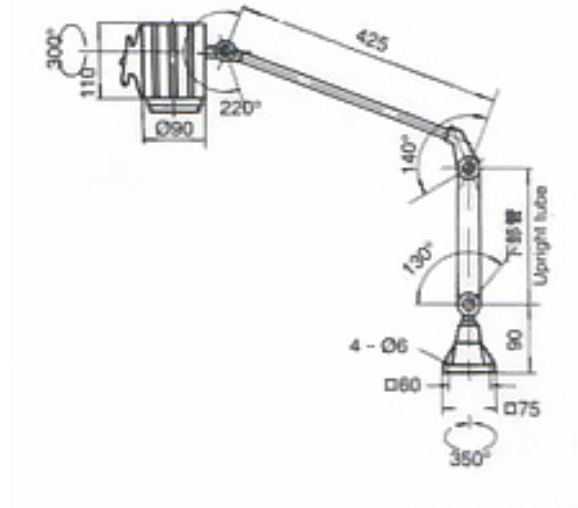


POLYTOP

Exporter from china

HALOGEN LIGHTS PTJC55 PROTECTION IP44:



USAGE:

Suitable for working illumination of CNC machine tools, maintenance operation, examination and test of products, lab observation.

PERFORMANCE:

- Illuminant source selects high luminescence efficiency, long life halogen bulb, lamp holder GY6.35
- Lights are waterproof and moisture resistive.
- Can load electronic transformer, suitable for different connection voltages, mains lead 2m with safety plug, mains lead 2m with safety plug.

TYPE	MAINS VOLTAGE	LIGHT SOURCE	SUPPORT ARM	UPRIGHT TUBE
PTJC55A	24	24v / 50w	425	280
PTJC55B	24	24v / 50w	425	225
PTJC55A-1	220v / 50Hz	24v / 50w	425	280
PTJC55B-1	220v / 50Hz	24v / 50w	425	225
ii	ii	ii	ii	ii