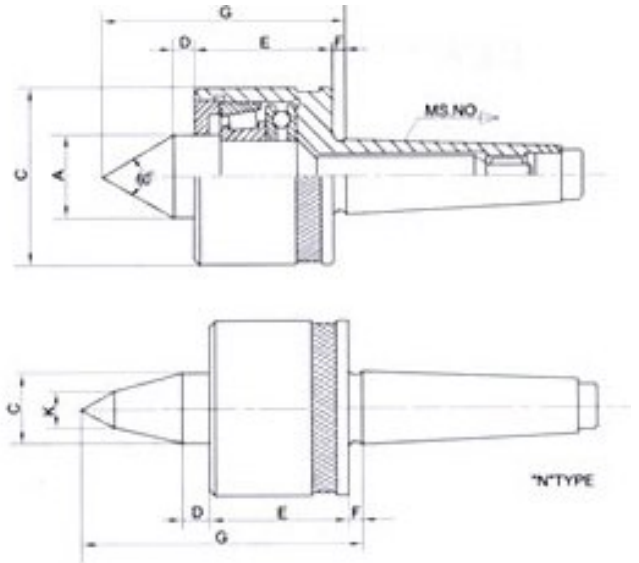


# POLYTOP

Exporter from china

## HEAVY-DUTY LIVE CENTER:



- SHAFT IS MADE OF THE MATERIAL ALLOY TOOL STEEL THROUGH HEAT TREATMENT, IT IS EVEN MORE DURABLE, HARDNESS IS AS HIGH AS (HRC60±2)
- THE CENTER IS APPLICABLE IN HEAVY-DUTY LATHE AND USED IN HEAVY-DUTY LOADINGS.

MODEL	MS. NO	A (mm)	C (mm)	D (mm)	E (mm)	F (mm)	G (mm)	K (mm)	d <sub>1</sub> (mm)	Max load (kg)	Max speed (rpm)	Accuracy (mm)
D512	2	19	47	7.5	40	5	69	∩	∩	2700	2000	0.012
D512N	2	19	47	8.5	40	5	79	10	∩	2700	2000	0.012
D513	3	24	61	6.2	47	5	79	∩	10	4200	1800	0.012
D513N	3	24	61	9.2	47	5	94	12	10	4200	1800	0.012
D514	4	30	73	12	54.5	6.5	99	∩	12	5500	1500	0.015
D514N	4	30	73	11	54.5	6.5	114	14	12	5500	1500	0.015
D515	5	42	92	14	67.5	6.5	124.5	∩	18	7200	1000	0.018
D515N	5	42	92	2.6	67.5	6.5	139	16	18	7200	1000	0.018
D516	6	57	130	17.6	97	8	172	∩	24	11800	800	0.022
D517	7	73	175	11.8	126.5	9.5	211	∩	35	16200	750	0.025
D5180	80	73	175	11.8	126.5	8	209.5	∩	35	18600	650	0.030
∩	∩	∩	∩	∩	∩	∩	∩	∩	∩	∩	∩	∩